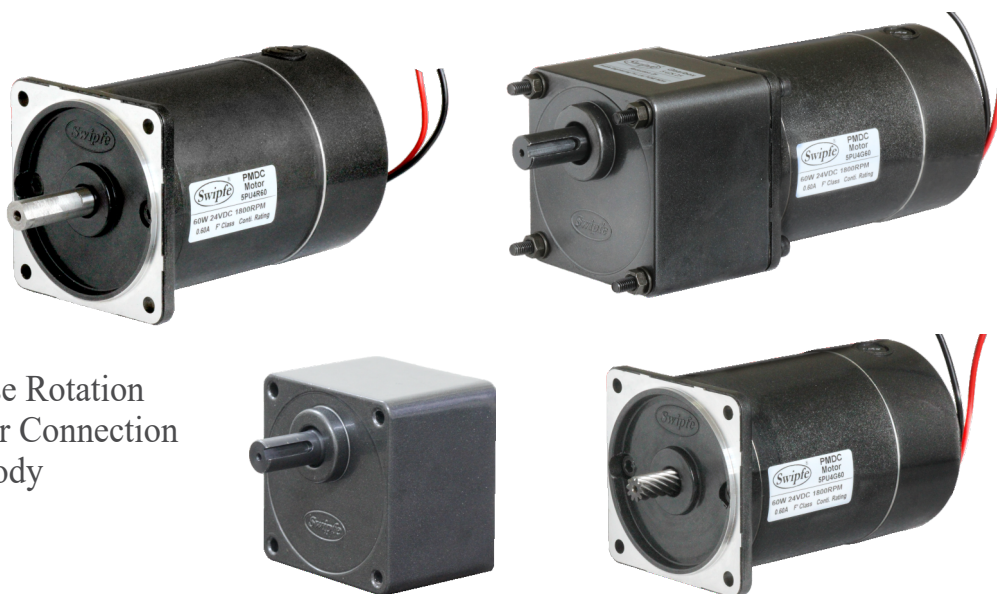


# PMDC Motor

## 60 Watt

Square Flange  
90mm x 90mm

Continuous Duty  
Clockwise or Counter Clockwise Rotation  
Terminal Box or Lead Wires For Connection  
Totally Enclosed Aluminium Body



### Motor Specifications:

Model	Supply	Current Amp	Rated Torque Nm	Rated Speed RPM
5PU4□ 60	24V DC	3.0	0.42	1350
5PX4□ 60	180V DC	0.4	0.42	1350

□ Indicates type of Shaft, G - Gear, R - Round, F - Frame, C - Custom

### Gearmotor Torque Table:

The maximum permissible torque is 20 Nm  
Rated speed of Motor is approx. 1350RPM

Unit : Nm

RPM	480	400	288	240	192	160	115	96	80	57	48	40	29	24	19	16	14	12	9.6	8
<b>Gear Ratio</b>	<b>3</b>	<b>3.6</b>	<b>5</b>	<b>6</b>	<b>7.5</b>	<b>9</b>	<b>12.5</b>	<b>15</b>	<b>18</b>	<b>25</b>	<b>30</b>	<b>36</b>	<b>50</b>	<b>60</b>	<b>75</b>	<b>90</b>	<b>100</b>	<b>120</b>	<b>150</b>	<b>180</b>
Output Torque	1.7	2.0	2.8	3.3	4.2	5.0	6.3	7.5	9.1	11.2	13.4	16.1	20.0	20.0	20.0	20.0	20.0	20.0	20.0	20.0

The Gear boxes are sold separately.

A coloured background indicates gear shaft rotation in same direction as motor shaft.

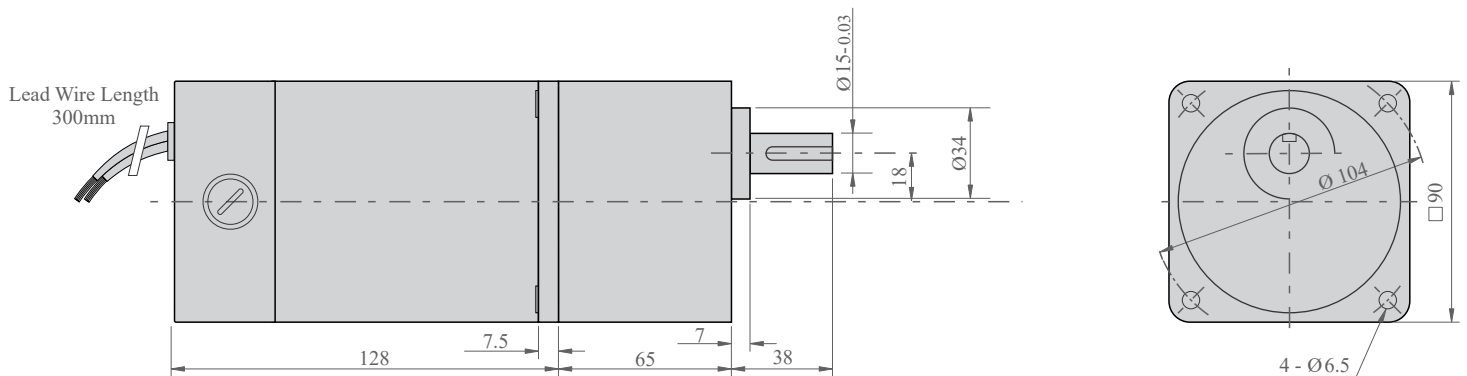
A white background indicates gear shaft rotation in opposite direction to the motor shaft.

The speed of geared motor is calculated by dividing motor's no load speed by the gear ratio.

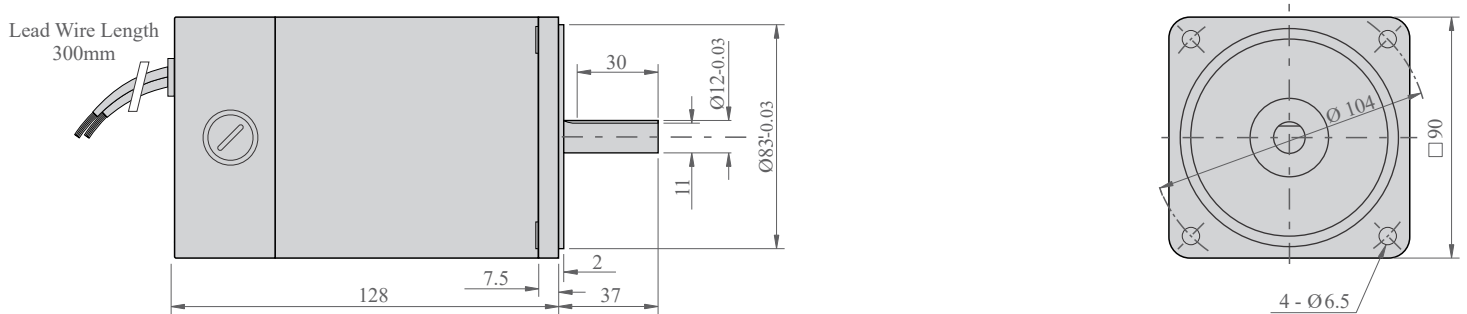
The actual speed is less than the displayed value, depending upon the load.

Characteristics, specifications and dimensions are subject to change without notice.

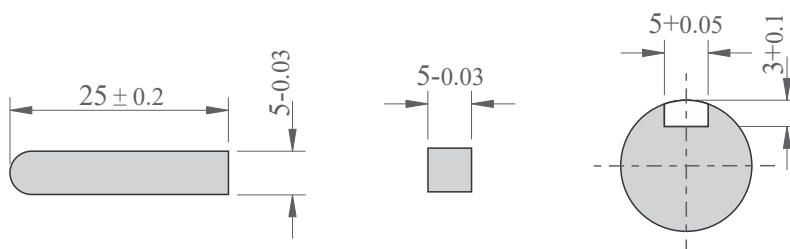
## Dimensions: Motor with Gearbox



## Motor Round Shaft



## Key & Keyway



Max. Weight:  
Motor - 2.3 kg  
Gear Box - 1.75 kg

## Power Supply Connection:

To rotate the motor in clockwise direction, connect red wire to positive supply and black wire to negative supply.

To reverse the direction interchange the wires.