

# PMDC Motor

## 25 Watt

Square Flange  
80mm x 80mm

Continuous Duty  
Clockwise or Counter Clockwise Rotation  
Terminal Box or Lead Wires For Connection  
Totally Enclosed Aluminium Body



### Motor Specifications:

Model	Supply	Current Amp	Rated Torque Nm	Rated Speed RPM
4PT4□25	12V DC	2.5	0.18	1500
4PU4□25	24V DC	1.2	0.18	1500

□ Indicates type of Shaft, G - Gear, R - Round, F - Frame, C - Custom

### Gearmotor Torque Table:

The maximum permissible torque is 8 Nm  
Rated speed of Motor is approx. 1500RPM

Unit : Nm

RPM	500	416	300	250	200	166	120	100	83	60	50	41	30	25	20	16	15	12.5	10	8.3
Gear Ratio	3	3.6	5	6	7.5	9	12.5	15	18	25	30	36	50	60	75	90	100	120	150	180
Output Torque	0.43	0.52	0.72	0.87	1.1	1.3	1.8	2.2	2.6	3.3	3.9	4.7	5.8	7.0	8.0	8.0	8.0	8.0	8.0	8.0

The Gear boxes are sold separately.

A coloured background indicates gear shaft rotation in same direction as motor shaft.

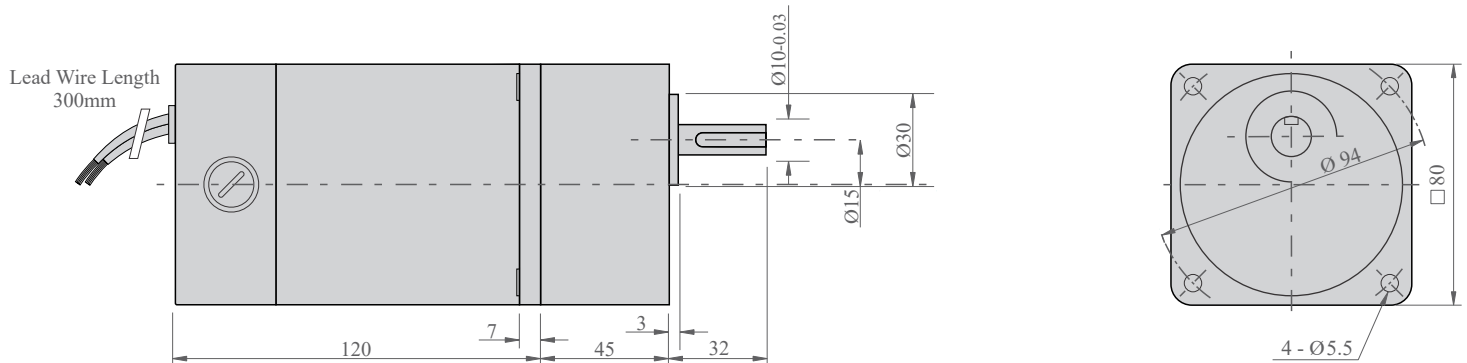
A white background indicates gear shaft rotation in opposite direction to the motor shaft.

The speed of geared motor is calculated by dividing motor's no load speed by the gear ratio.

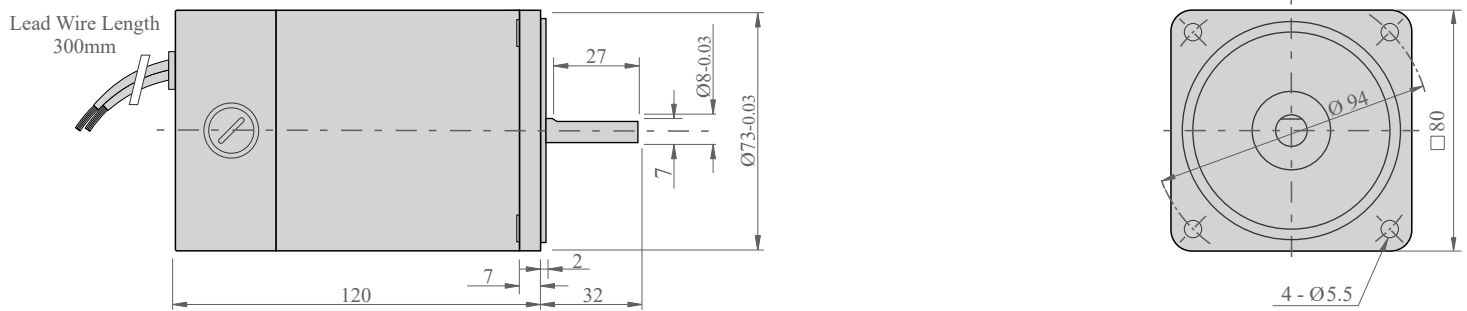
The actual speed is less than the displayed value, depending upon the load.

Characteristics, specifications and dimensions are subject to change without notice.

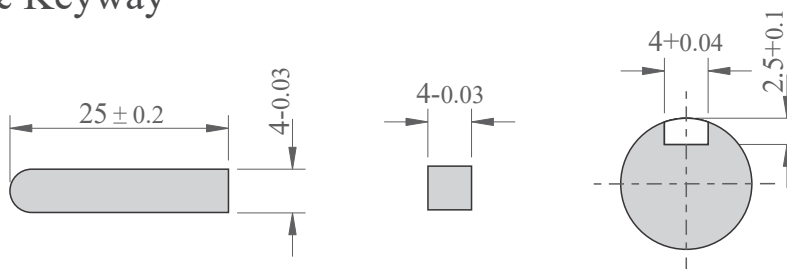
## Dimensions: Motor with Gearbox



## Motor Round Shaft



## Key & Keyway



Max. Weight:  
Motor - 2.3 kg  
Gear Box - 1.75 kg

## Power Supply Connection:

To rotate the motor in clockwise direction, connect red wire to positive supply and black wire to negative supply.

To reverse the direction interchange the wires.